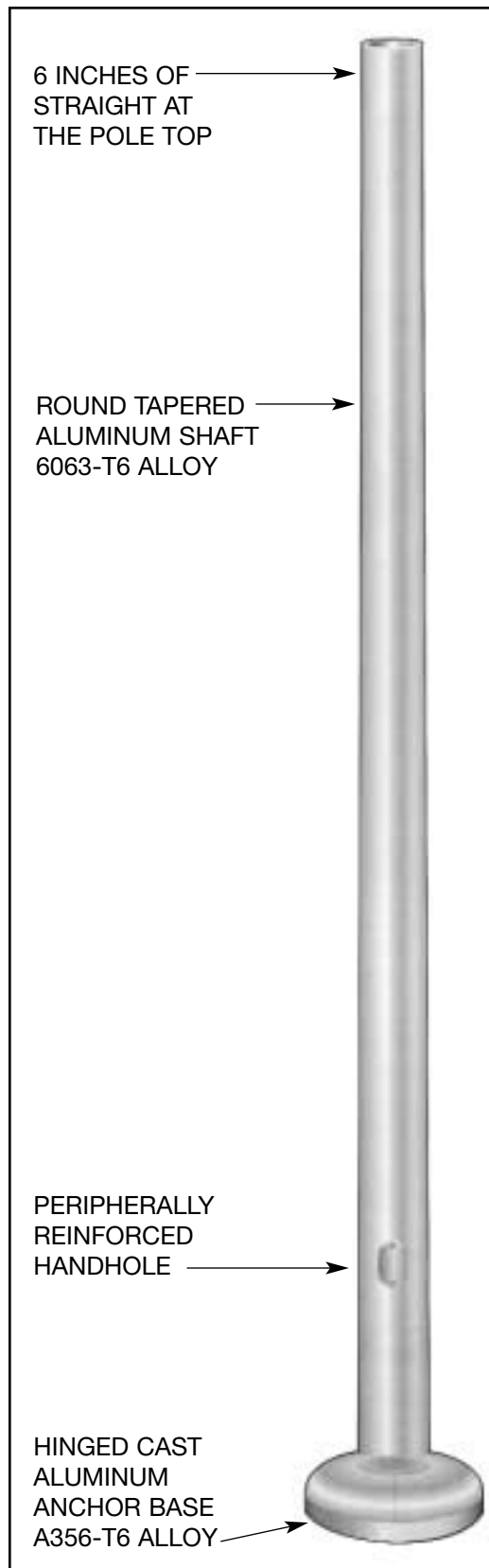


8' to 20' Round Tapered Aluminum Hinged Base



Shaft: The shaft shall be spun tapered from seamless 6063 Alloy Aluminum and is heat treated after fabrication to produce a T6 temper. Shafts will be polished with fine grain aluminum oxide cloths producing a high quality satin brushed finish. Each pole will be wrapped with neutral PH Krinkle/Kraft paper for protection in shipment.

Hinged Anchor Base: The hinged anchor base is cast from A356 Alloy Aluminum. The shaft shall be inserted into the tilting section of the hinged base and shall be joined to it by continuous circumferential welds at the outside top and inside bottom of that section. The tilting and anchored sections of the hinged base shall be joined by a 3/4" diameter solid aluminum pivot rod. The tilting section of the hinged base shall be held in a vertical position by (3) 1/2"- 13 x 2" stainless steel hex head bolts. These bolts shall attach to stainless steel inserts cast into the aluminum base. A cast aluminum 2-piece cover is included.

Handholes: Peripherally reinforced flush covered handhole centered 18" above the bottom of the pole. Opening for 4" poles is 2 3/8" x 4 1/2", and 5" and 6" poles is 3"x 5".

Anchor Bolts: Each pole to include (4) steel hot dipped galvanized bolts each to have (2) nuts and (2) flat washers.

Finishes: Anodized or painted finishes can be provided in addition to the standard brushed aluminum.

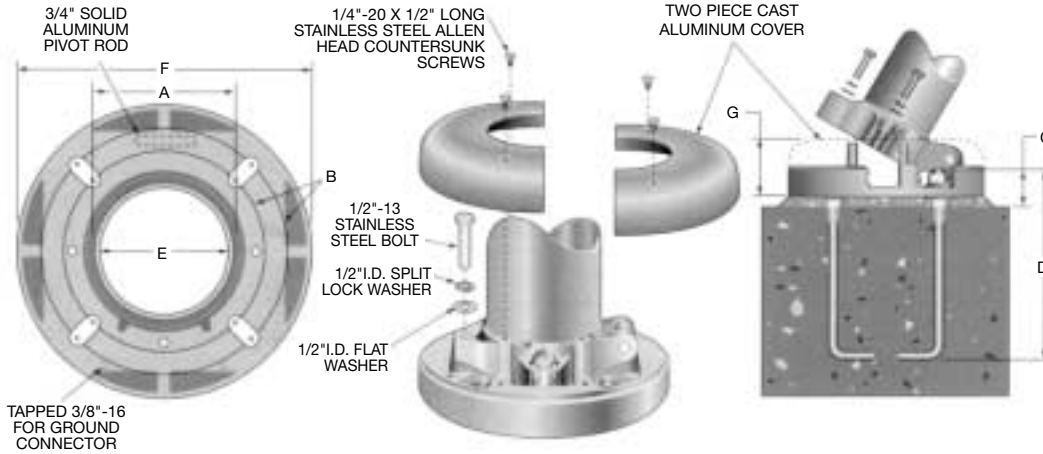
Options and Accessories: Vibration dampeners, gasketed handhole cover, electrical outlets, tenons or drilling.

*Serving our customers and
the industry with quality
products since 1973.*

8' to 20' Round Tapered Aluminum Hinged Base

BASE DIMENSIONS

A	B	C	D	E	CONDUIT PROJECTION	F	G
POLE DIAMETER	BOLT CIRCLE	BOLT PROJECTION	BOLT SIZE	CONDUIT OPENING		DIAMETER	HEIGHT
4"	8-1/2" - 10"	3-1/2"	3/4" x 17"	3-1/2"	1-1/2"	12-5/8"	3-1/16"
5"	8-1/2" - 10"	3-1/2"	3/4" x 17"	4-1/2"	1-1/2"	12-5/8"	3-1/16"
6"	8-1/2" - 10"	3-1/2"	3/4" x 17"	5-1/2"	1-1/2"	12-5/8"	3-1/16"



TYPICAL WEIGHT AND ALLOWABLE SIZE OF LUMINAIRES*							DIMENSIONS OF POLES				
NOMINAL MOUNTING HEIGHT	TYPICAL LUMINAIRE WT (LBS.)	EFFECTIVE PROJECTED AREA IN SQUARE FEET AT					POLE HEIGHT	TOP	BASE	WALL	MODEL NUMBER**
		70 MPH	80 MPH	90 MPH	100 MPH	110 MPH					
8'	50	16.1	12.1	9.3	7.3	5.9	7'8"	3"	4"	.125"	RTA08-304CTH
10'	50	12	8.9	6.7	5.2	4.1	9'8"	3"	4"	.125"	RTA10-304CTH
10'	50	19.7	14.7	11.4	9	7.3	9'8"	3"	5"	.125"	RTA10-305CTH
12'	50	9.1	6.6	4.9	3.6	2.8	11'8"	3"	4"	.125"	RTA12-304CTH
12'	50	15.5	11.5	8.7	6.8	5.4	11'8"	3"	5"	.125"	RTA12-305CTH
12'	50	19.4	14.5	11.1	8.7	7	11'8"	3"	5"	.156"	RTA12-305FTH
12'	50	23.4	17.5	13.5	10.6	8.6	11'8"	3"	5"	.188"	RTA12-305DTH
14'	50	7	4.9	3.5	2.5	1.8	13'8"	3"	4"	.125"	RTA14-304CTH
14'	50	12.3	9	6.7	5.1	4	13'8"	3"	5"	.125"	RTA14-305CTH
14'	50	15.6	11.5	8.7	6.7	5.3	13'8"	3"	5"	.156"	RTA14-305FTH
14'	50	18.9	14	10.7	8.4	6.7	13'8"	3"	5"	.188"	RTA14-305DTH
16'	50	5.4	3.6	2.4	1.5	1	15'8"	3"	4"	.125"	RTA16-304CTH
16'	50	9.9	7	5.1	3.8	2.9	15'8"	3"	5"	.125"	RTA16-305CTH
16'	50	12.6	9.1	6.8	5.2	4	15'8"	3"	5"	.156"	RTA16-305FTH
16'	75	15.4	11.2	8.5	6.5	5.2	15'8"	3"	5"	.188"	RTA16-305DTH
16'	75	19.2	14.2	11	8.7	7	15'8"	4"	6"	.156"	RTA16-406FTH
16'	75	23.4	17.5	13.5	10.8	8.8	15'8"	4"	6"	.188"	RTA16-406DTH
18'	50	7.9	5.4	3.8	2.7	2	17'8"	3"	5"	.125"	RTA18-305CTH
18'	75	10.2	7.2	5.2	3.9	3	17'8"	3"	5"	.156"	RTA18-305FTH
18'	75	12.7	9.1	6.7	5.1	4	17'8"	3"	5"	.188"	RTA18-305DTH
18'	75	15.9	11.7	8.9	7	5.6	17'8"	4"	6"	.156"	RTA18-406FTH
18'	75	19.6	14.5	11.1	8.8	7.1	17'8"	4"	6"	.188"	RTA18-406DTH
20'	75	6.3	4.1	2.7	1.7	1.1	19'8"	3"	5"	.125"	RTA20-305CTH
20'	75	8.5	5.8	4.0	2.8	2	19'8"	3"	5"	.156"	RTA20-305FTH
20'	75	10.7	7.5	5.3	3.9	2.9	19'8"	3"	5"	.188"	RTA20-305DTH
20'	75	13.3	9.5	7.1	5.5	4.4	19'8"	4"	6"	.156"	RTA20-406FTH
20'	75	16.6	12	9.1	7.1	5.7	19'8"	4"	6"	.188"	RTA20-406DTH

CAUTION: Raising or lowering of the pole requires adequate preparation. Do not underestimate the force required to raise or lower poles with heavy luminaires at the top.

* EPA calculations are based on a 1.3 Gust Factor. Variations from pole sizes listed above, available upon inquiry at the factory. Satisfactory performance of lighting poles is dependent upon the pole being properly attached to a supporting foundation of adequate design. NAFCO does not design or offer recommendations for foundations.

** Model number does not include mounting options or finish designation.

Dimensions and Specifications subject to change without notice.