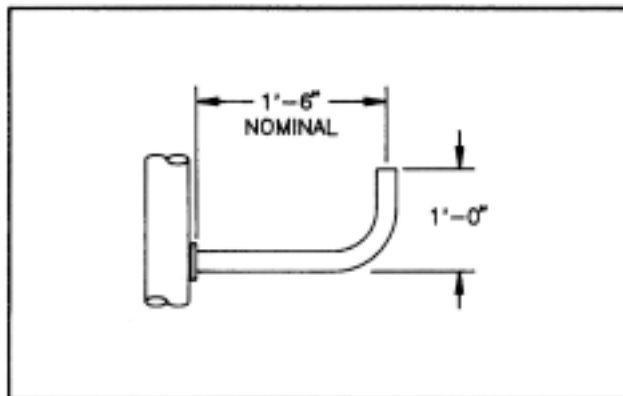


Bracket Arms - Bullhorn Type

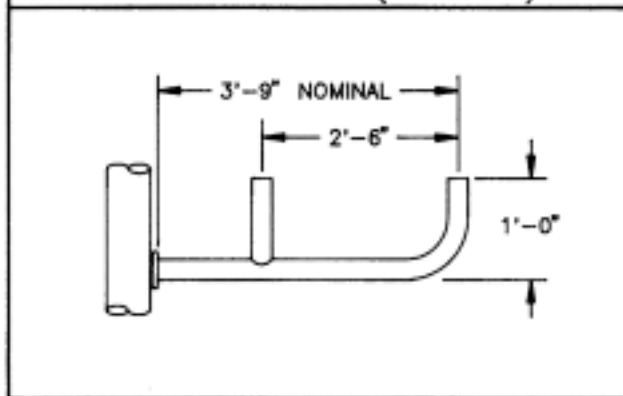
Number of Mounting Locations	Design Number	Orientation	Detail Number	Bracket Size		Max. Size of Luminaire	
				Weight (lbs)	EPA (ft ²)	Weight (lbs)	EPA (ft ²)
1	**M080-016-010	N/A	7	11	0.5	100	5.0
2	**M082-026-010	180°	8	20	1.1	100	3.0
	MD102-030-01	180°	1	21	1.0	150	7.3
3	MD103-026-01	180°	2	32	1.6	150	4.7
	MY103-020-01	120°	5	34	1.3	150	4.7
4	MD104-026-01	180°	3	44	2.3	150	3.4
	MX104-040-01	90°	6	44	1.6	150	3.5
5	MD115-030-01	180°	4	86	3.5	100	3.0

BULLHORN NOTES:

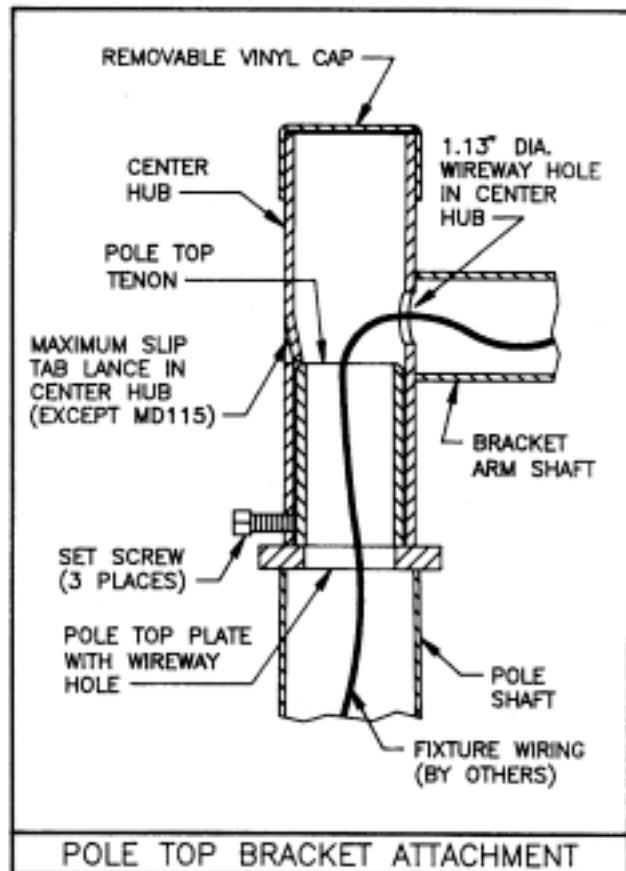
1. The maximum straight luminaire slipfit length is 4.63" for all arm brackets. Consult factory for other tenon applications.
2. Total combined weight and EPA of brackets and luminaires cannot exceed that allowed on pole ordered.
3. Adjacent tenon spacing and fixture dimensions must be compared for proper clearance between fixtures.
4. ** = Side mounted brackets utilize single bolt simplex connection (see below details).
5. Maximum Luminaire weight and EPA values are based on a 100 mph wind speed w/1.3 gust factor and maximum 70' mounting height.
6. **MATERIAL:** Center Hub = 2.5" schedule 40 pipe / Arms = 2.0" schedule 40 pipe.
7. **MD115 MATERIAL:** Center Hub = 4.5" schedule 40 pipe / Arms = 2.0" schedule 40 pipe.



M080-016-010 (DETAIL 7)



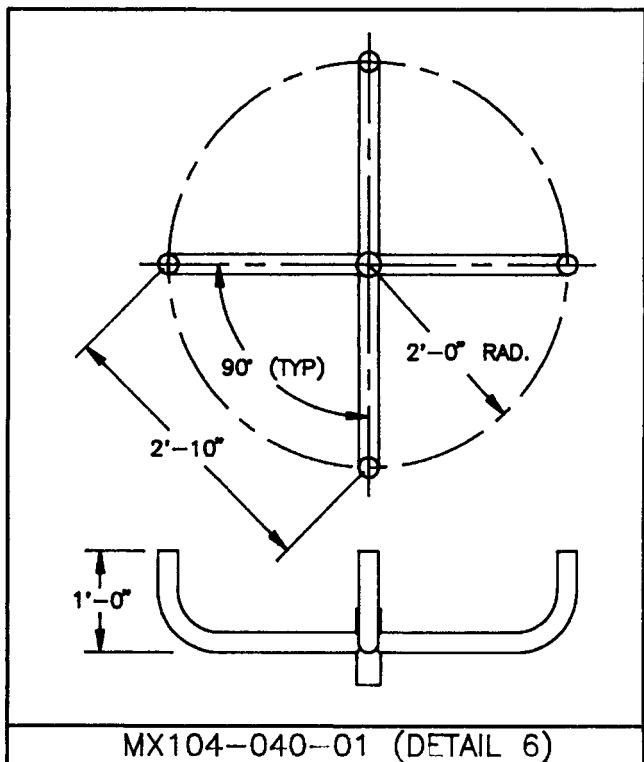
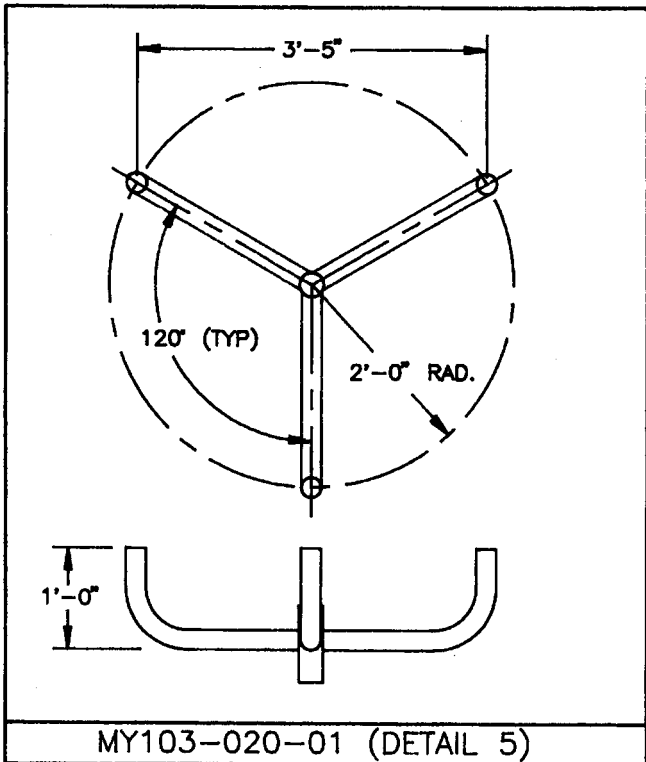
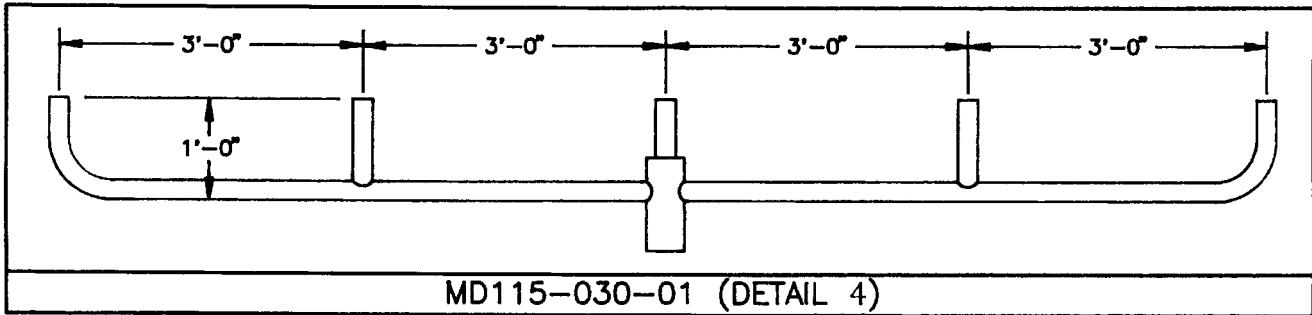
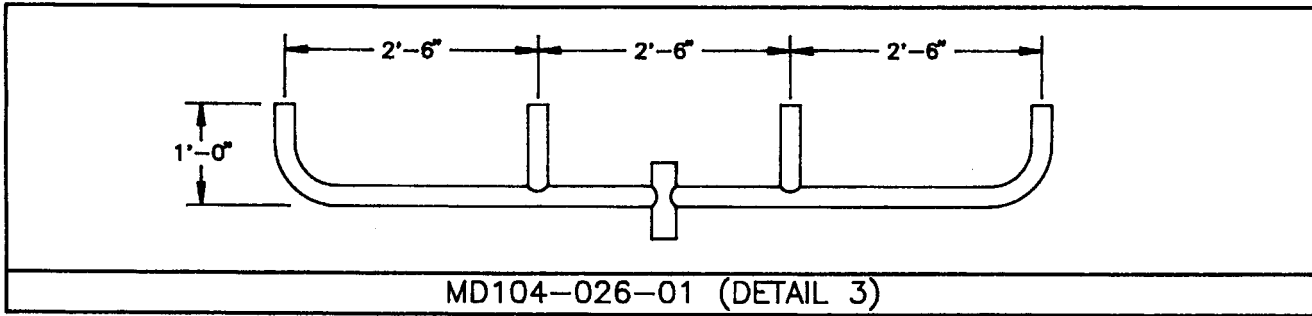
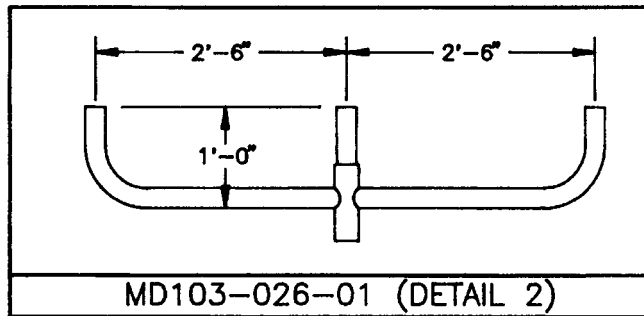
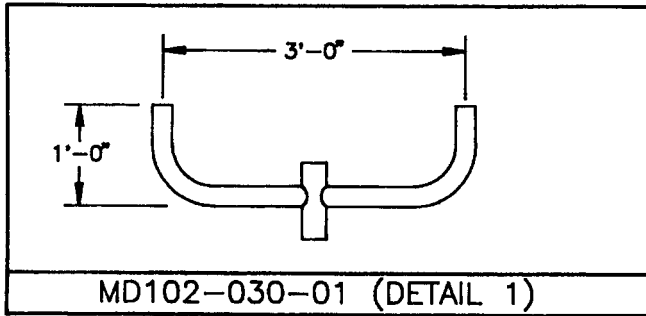
M082-026-010 (DETAIL 8)



POLE TOP BRACKET ATTACHMENT

Serving our customers and the industry with quality products since 1973.

Bracket Arms - Bullhorn Type



Dimensions and Specifications subject to change without notice.