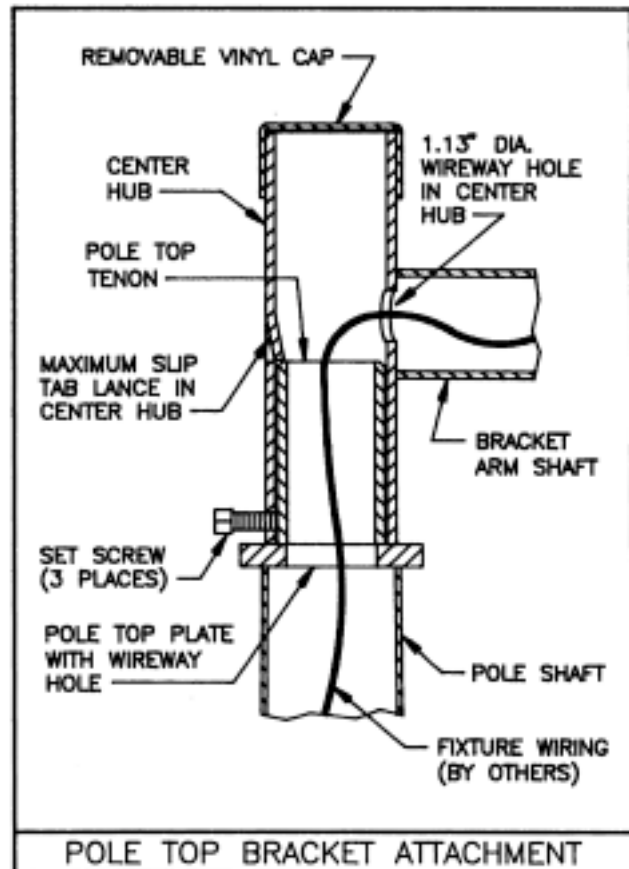
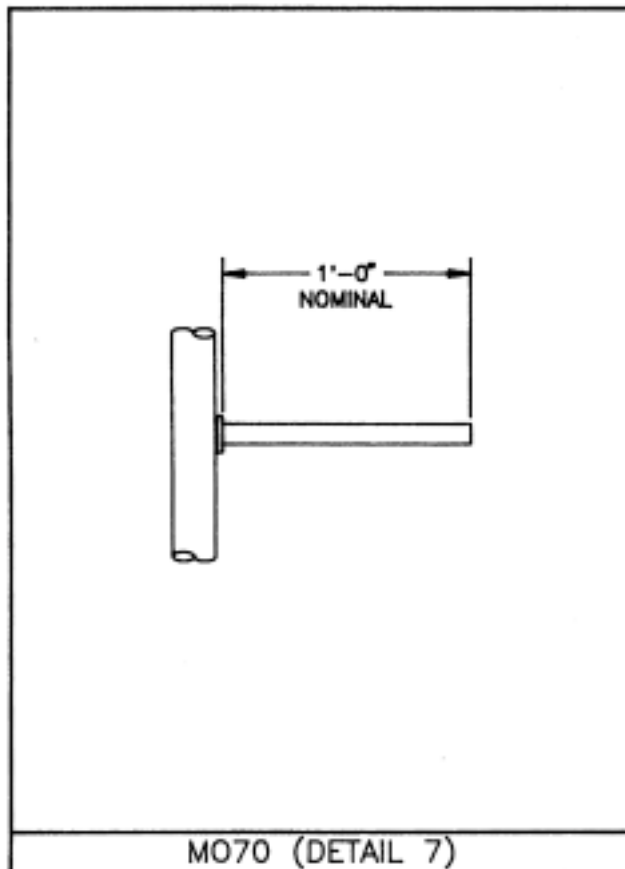


Bracket Arms - Spoke Type

Number of Mounting Locations	Design Number	Orientation	Detail Number	Bracket Size		Max. Size of Luminaire	
				Weight (lbs)	EPA (ft ²)	Weight (lbs)	EPA (ft ²)
1	MS401-01-0	N/A	1	8	0.3	125	6.0
	** M070	N/A	7	9	0.3	125	6.0
2	MD402-01-0	180°	2	11	0.4	125	6.0
	ML402-01-0	90°	3	11	0.4	125	6.0
3	MT403-01-0	90°	4	15	0.5	125	6.0
	MY403-01-0	120°	5	15	0.5	125	6.0
4	MX404-01-0	90°	6	18	0.6	125	6.0

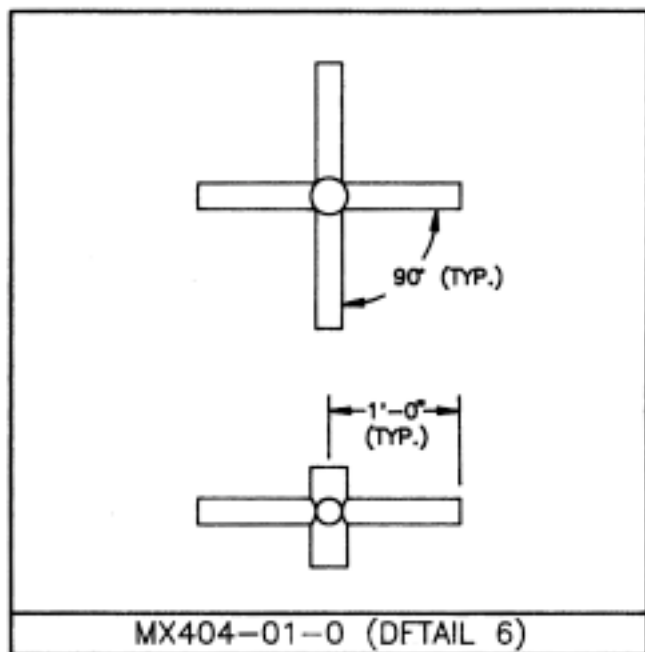
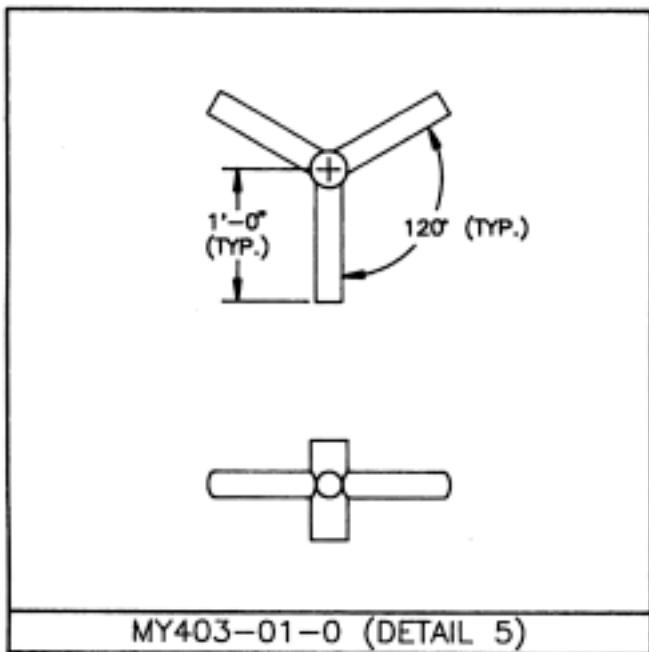
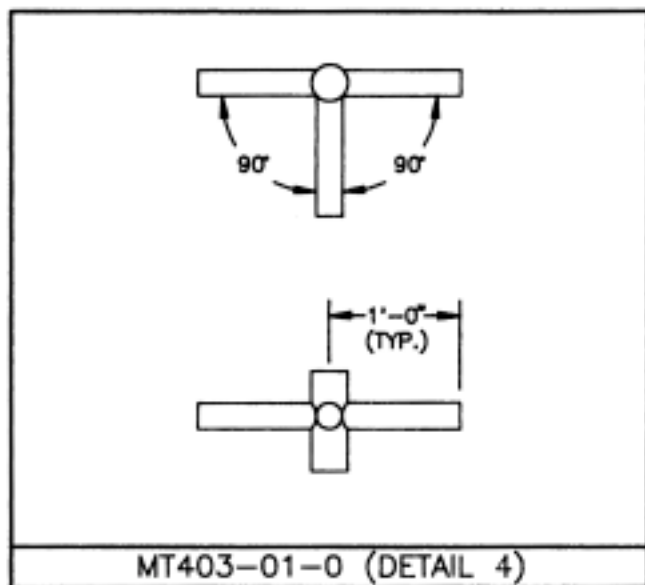
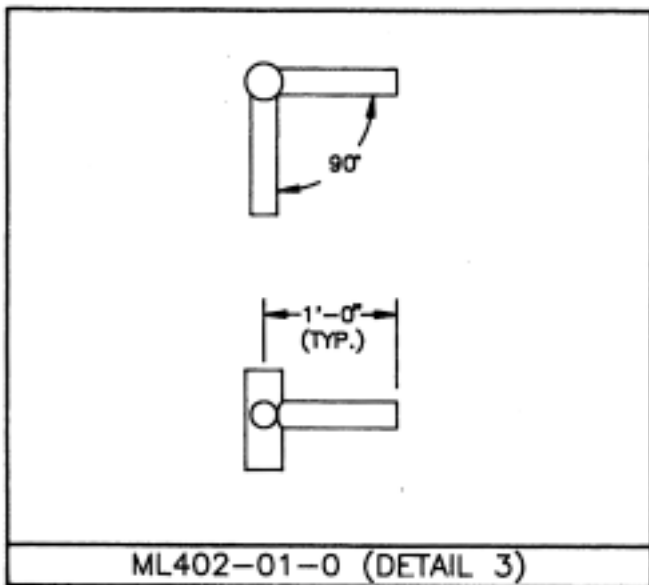
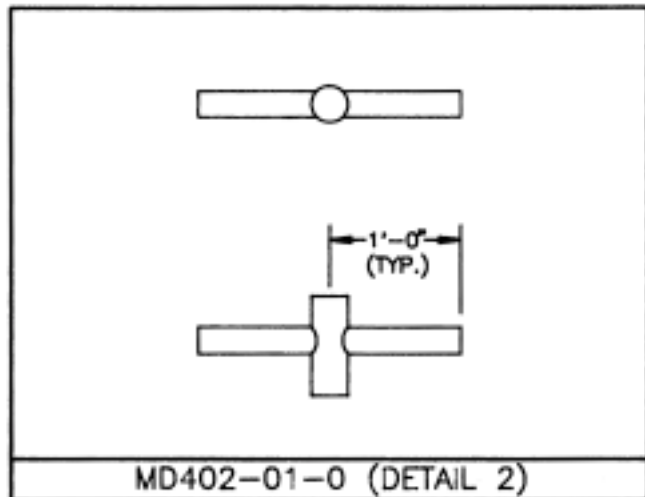
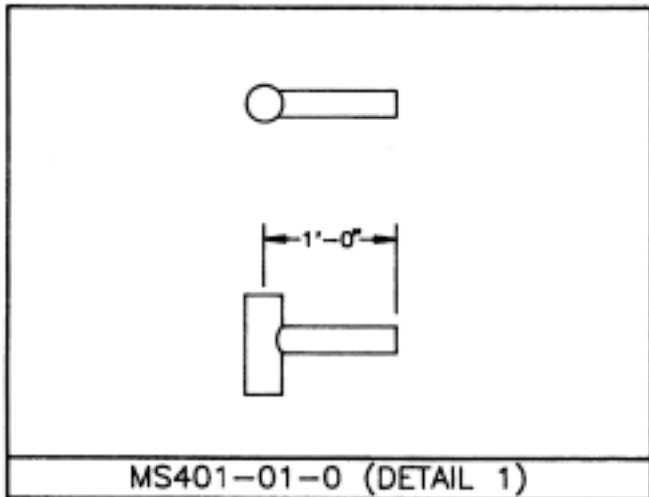
SPOKE NOTES:

1. The maximum straight luminaire slipfit length is 10.50" for all arms brackets.
2. Total combined weight and EPA of brackets and luminaires cannot exceed that allowed on pole ordered.
3. ** = Side mounted bracket utilizes single bolt simplex (see below detail).
4. Maximum Luminaire weight and EPA values are based on a 100 mph wind speed w/1.3 gust factor and maximum 70' mounting height.
5. **MATERIAL:** Center Hub = 2.5" schedule 40 pipe / Arms = 2.0" schedule 40 pipe.



Serving our customers and the industry with quality products since 1973.

Bracket Arms - Spoke Type



Dimensions and Specifications subject to change without notice.